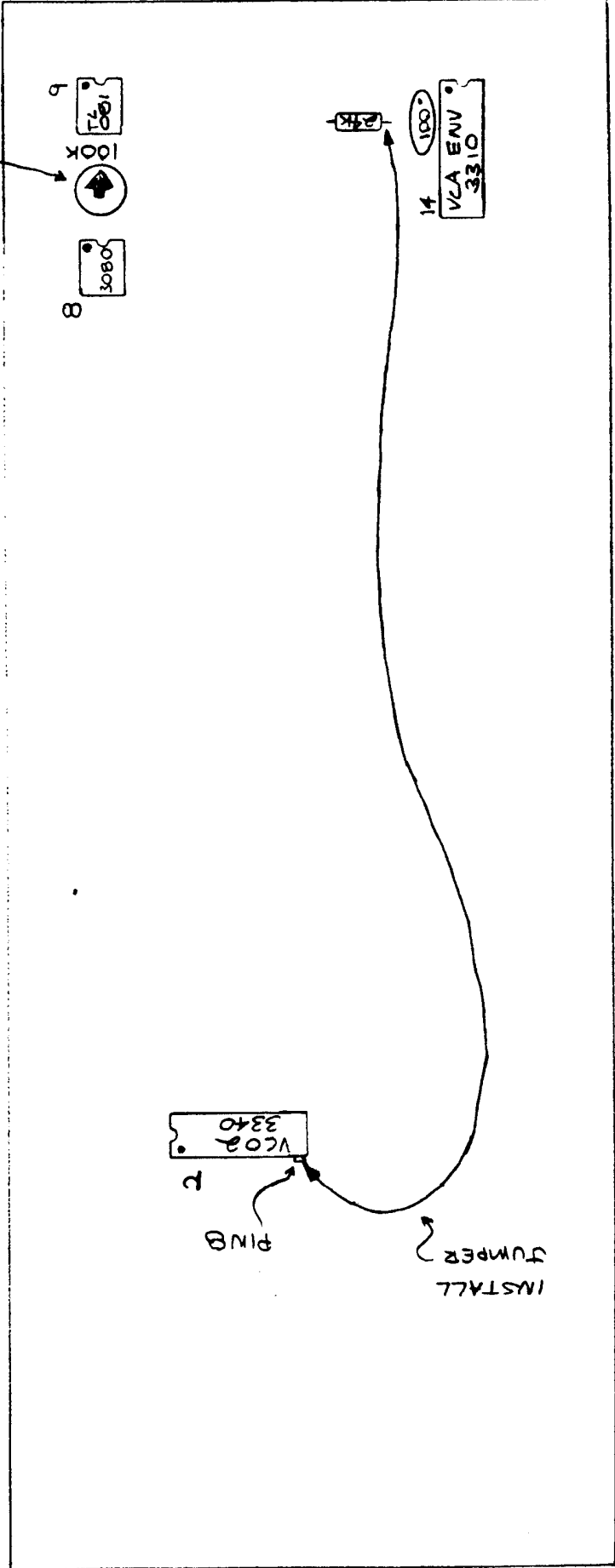


bleeps  
and  
peeps

[WWW.BLEEPS-AND-PEEPS.COM](http://WWW.BLEEPS-AND-PEEPS.COM)



VCA OFFSET  
OBS. VOICE CARD



VCA OFFSET TRIMMER

MODULATION ASSEMBLY  
TRIMMER LOCATIONS

SERIAL NUMBER  
AND BEFORE

- CENTER TRAVERSE
- UP TRAVERSE
- SAW SYMMETRY
- CENTER LEVER
- NARROW BEND
- UP BEND
- DOWN BEND

MODEL

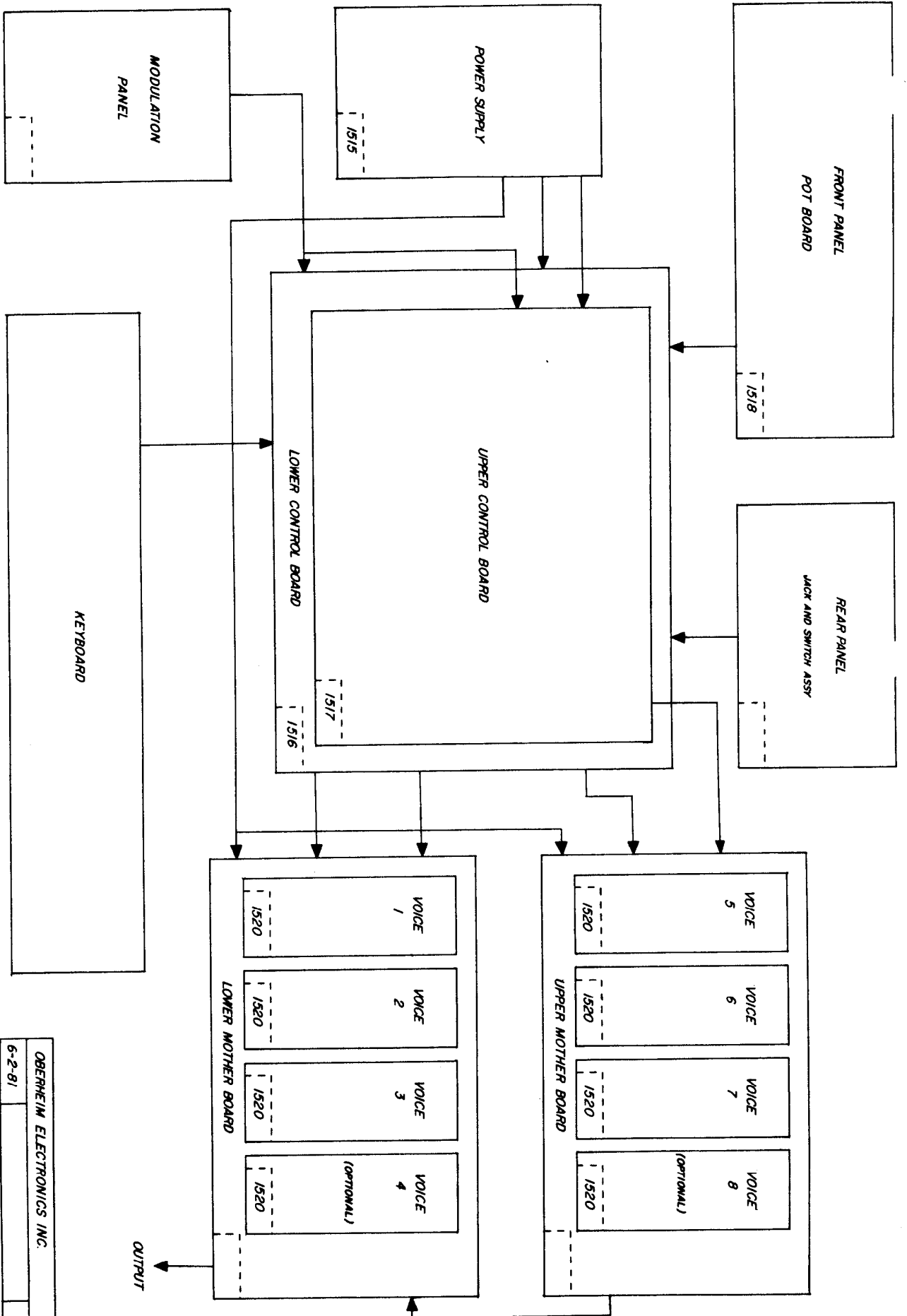
SERIAL NUMBER  
AND AFTER

- NARROW BEND
- OFFSET BEND
- DOWN BEND
- UP BEND
- CENTER LEVER
- TRAVERSE (UP)
- LFO OFFSET
- SAW SYMMETRY \*

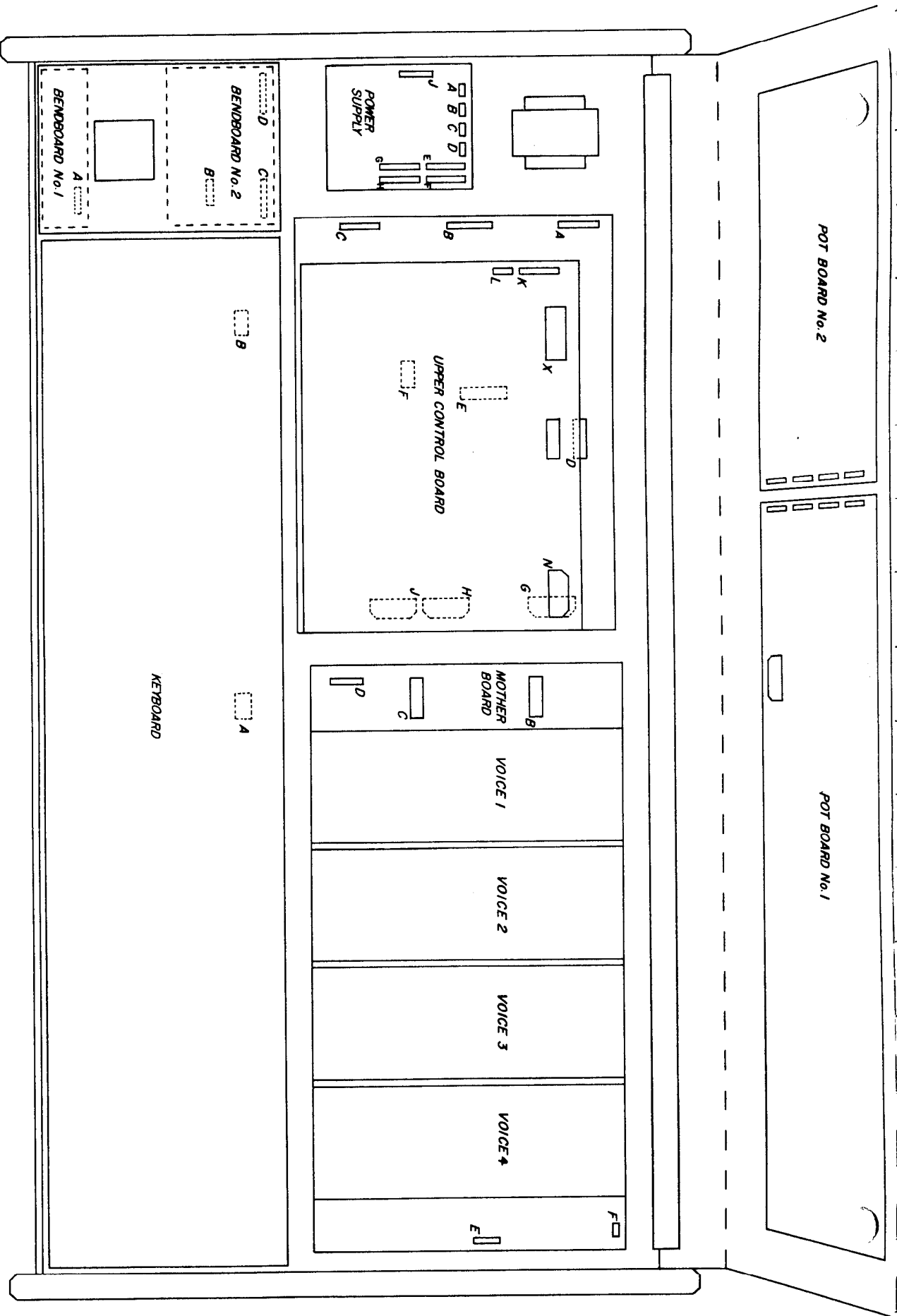
LEFT OF POSITION

\* UNITS BEFORE MAY 1981  
HAVE THE SAW SYMMETRY  
TRIMMER INSIDE.

MODEL



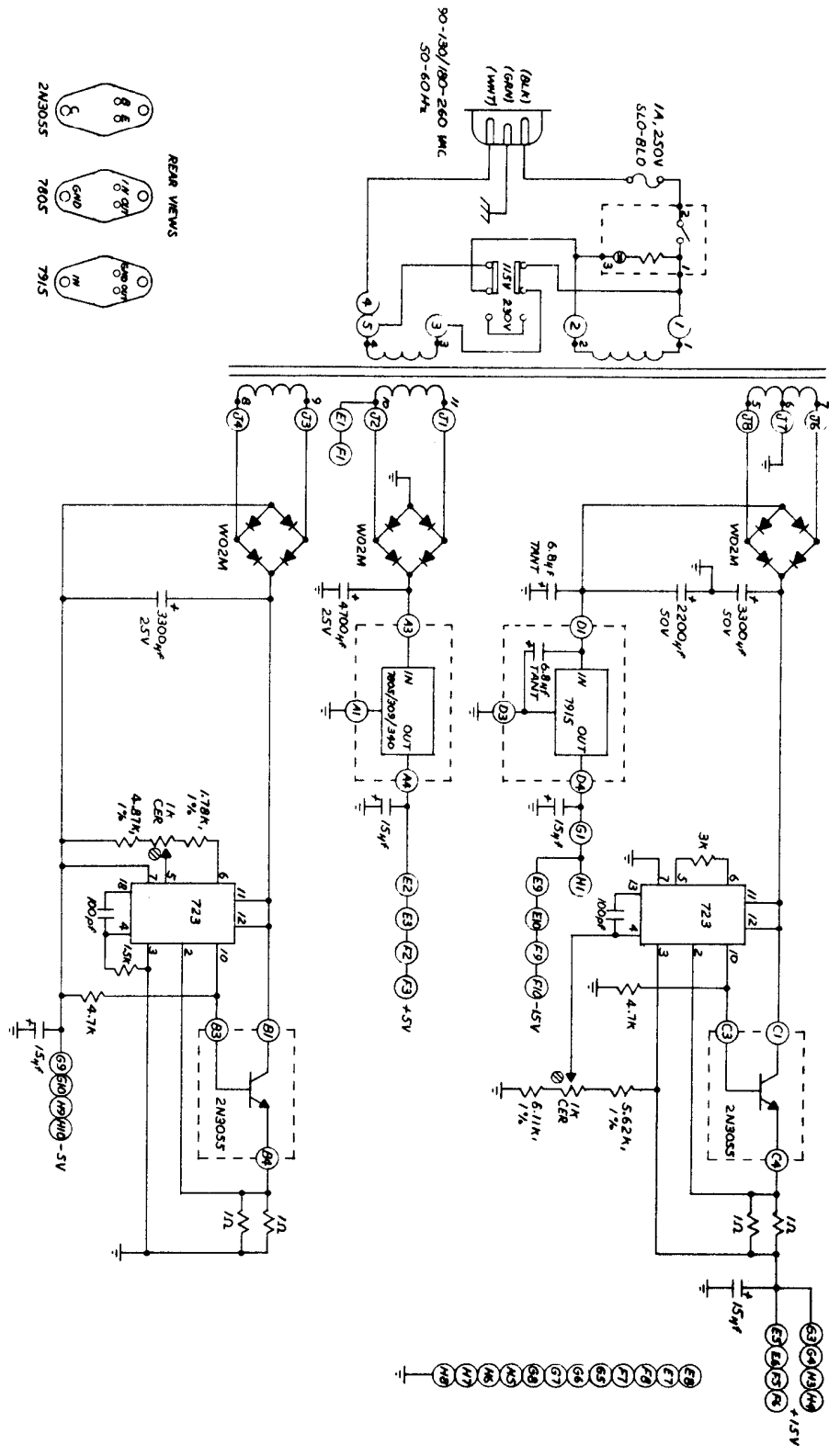
OBERHEIM ELECTRONICS INC.  
 6-2-81  
 OB-XA WIRING BLOCK DIAGRAM



NOTE: MOTHER BOARD No. 2  
AND VOICE 5 TO 8  
NOT SHOWN.

OBERRHEIM ELECTRONICS INC.

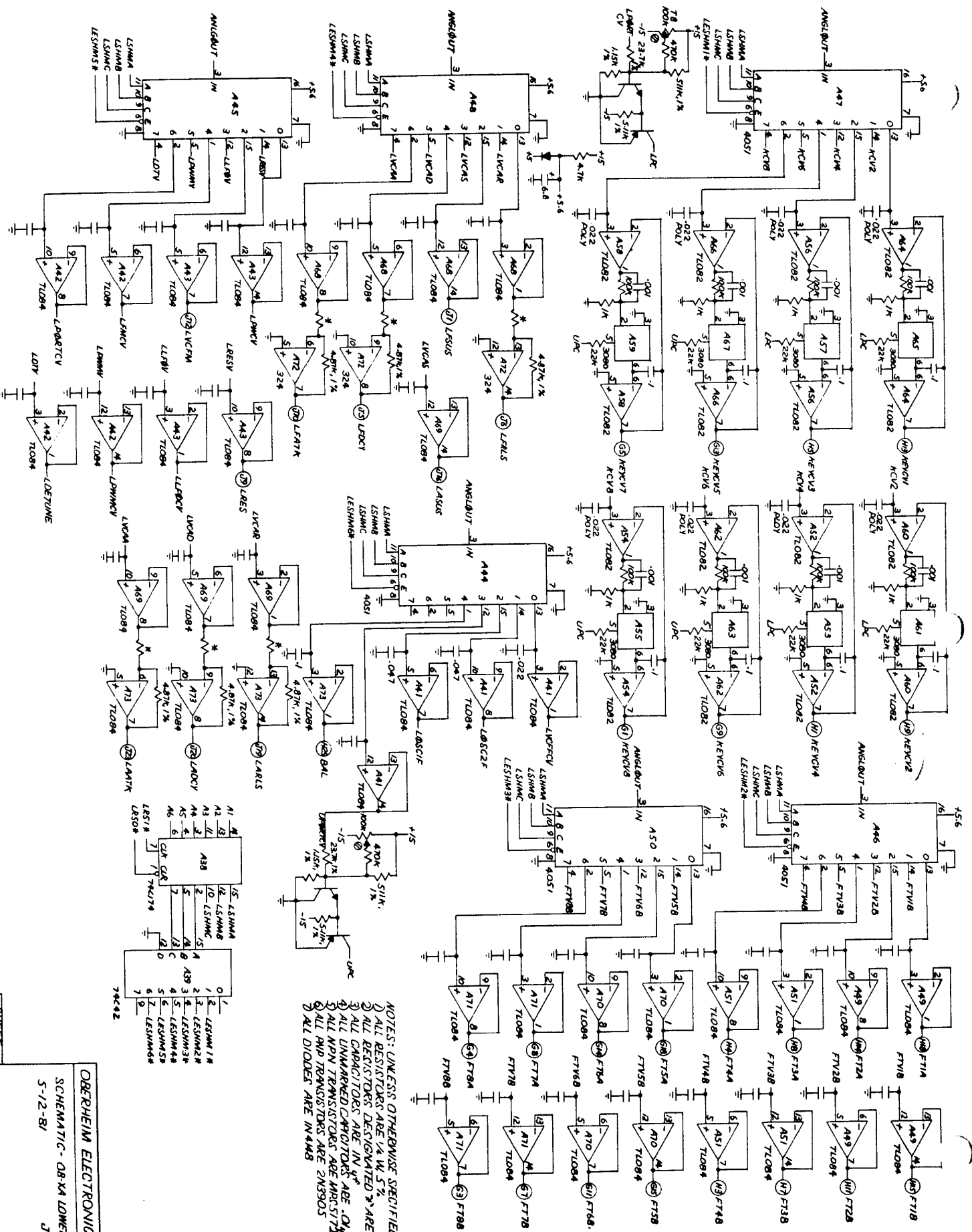
OB-XA SUB ASSEMBLY AND CONNECTORS  
PLACEMENT DIAGRAM.



OBERHEIM ELECTRONICS INC.  
 OB-KA POWER SUPPLY  
 5-27-81 JTR

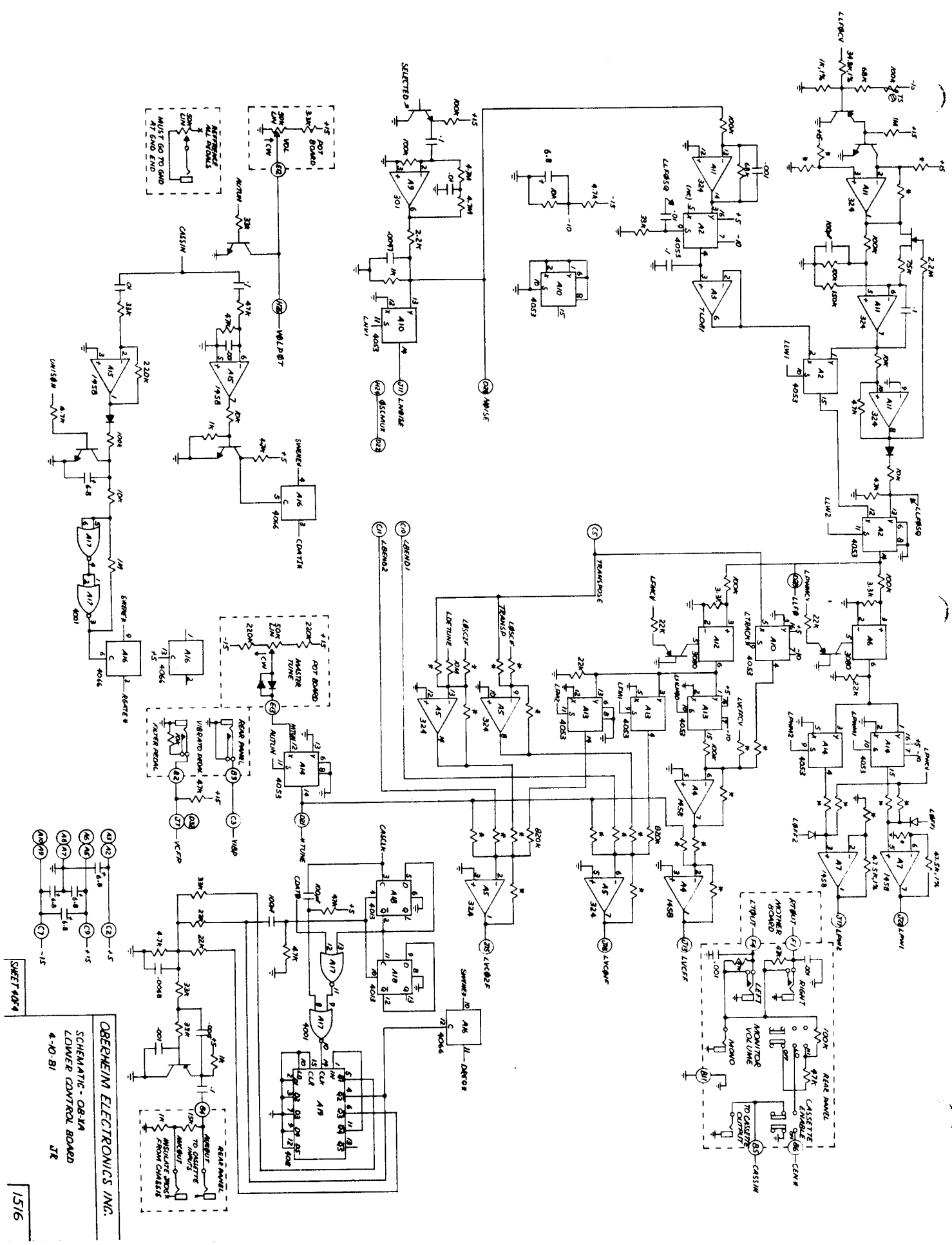




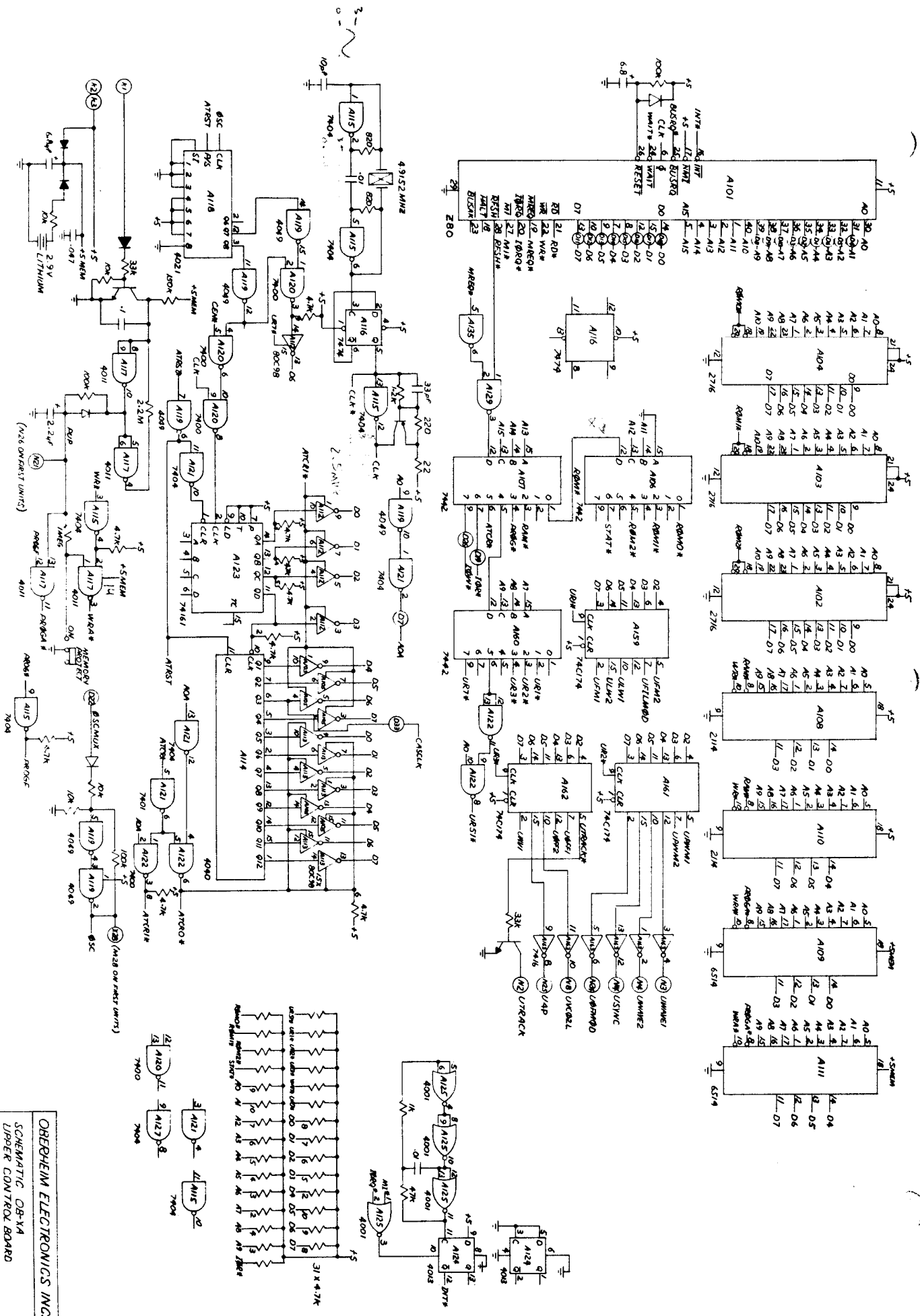


- NOTES: UNLESS OTHERWISE SPECIFIED
- 1) ALL RESISTORS ARE 1/4 W 5%
  - 2) ALL CAPACITORS ARE IN  $\mu$ F
  - 3) ALL UNMARKED CAPACITORS ARE .01 $\mu$ F
  - 4) ALL UNMARKED TRANSISTORS ARE MMS3772
  - 5) ALL PNP TRANSISTORS ARE 2N5305
  - 6) ALL DIODES ARE IN 4M5

11	LSMNA	1	LSMNA
12	LSMNB	2	LSMNB
13	LSMNC	3	LSMNC
14	LSMNA	4	LSMNA
15	LSMNB	5	LSMNB
16	LSMNC	6	LSMNC
17	LSMNA	7	LSMNA
18	LSMNB	8	LSMNB
19	LSMNC	9	LSMNC
20	LSMNA	10	LSMNA
21	LSMNB	11	LSMNB
22	LSMNC	12	LSMNC
23	LSMNA	13	LSMNA
24	LSMNB	14	LSMNB
25	LSMNC	15	LSMNC
26	LSMNA	16	LSMNA
27	LSMNB	17	LSMNB
28	LSMNC	18	LSMNC
29	LSMNA	19	LSMNA
30	LSMNB	20	LSMNB
31	LSMNC	21	LSMNC
32	LSMNA	22	LSMNA
33	LSMNB	23	LSMNB
34	LSMNC	24	LSMNC
35	LSMNA	25	LSMNA
36	LSMNB	26	LSMNB
37	LSMNC	27	LSMNC
38	LSMNA	28	LSMNA
39	LSMNB	29	LSMNB
40	LSMNC	30	LSMNC



**OREHEIM ELECTRONICS INC.**  
 SCHEMATIC - OR-3/A  
 CASSETTE CONTROL BOARD  
 4-0-81  
 JR



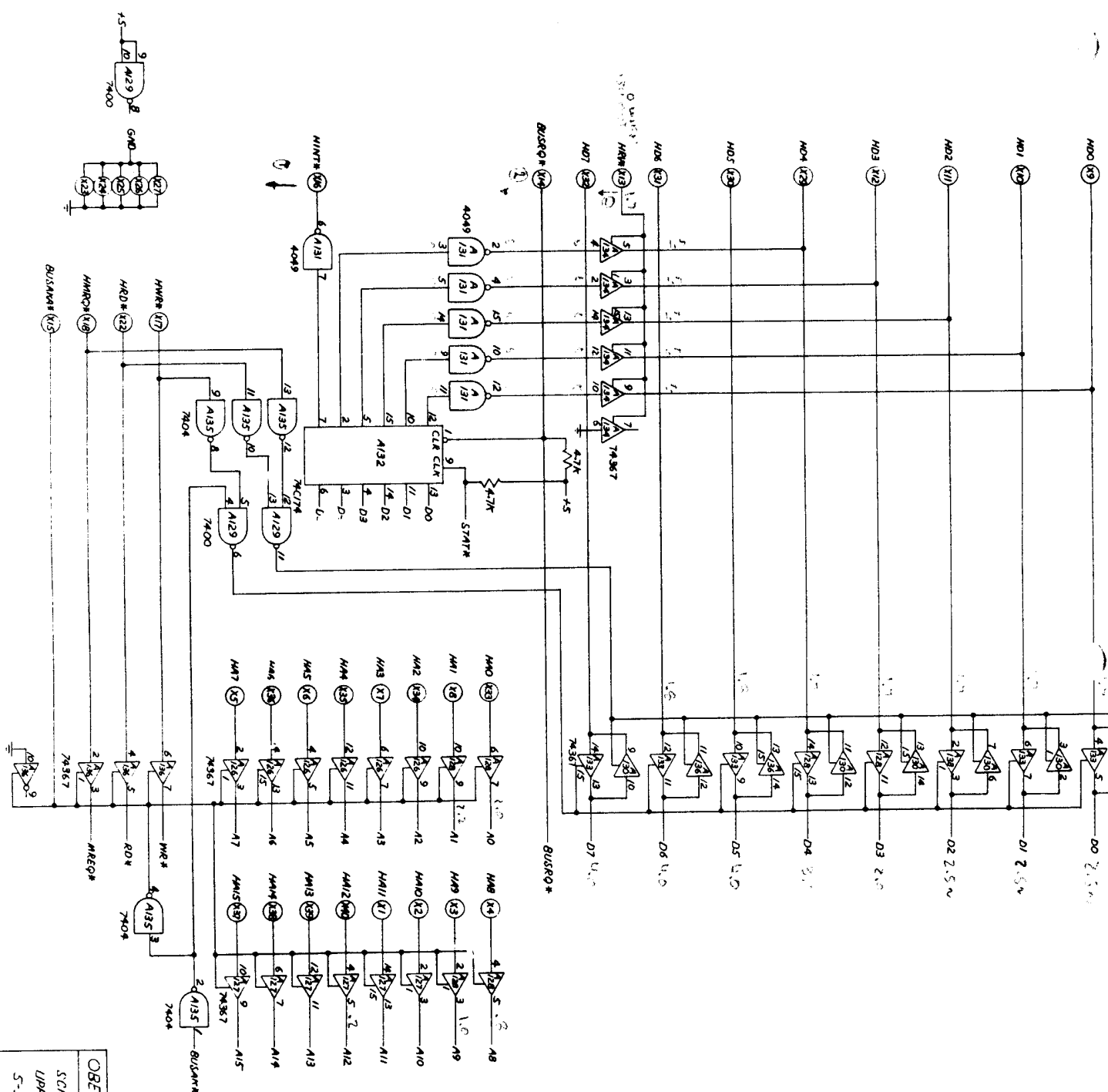
**OBERHEIM ELECTRONICS INC.**  
 SCHEMATIC OR-YA  
 UPPER CONTROL BOARD  
 4-28-81  
 JR

SHEET 1 OF 3

1517

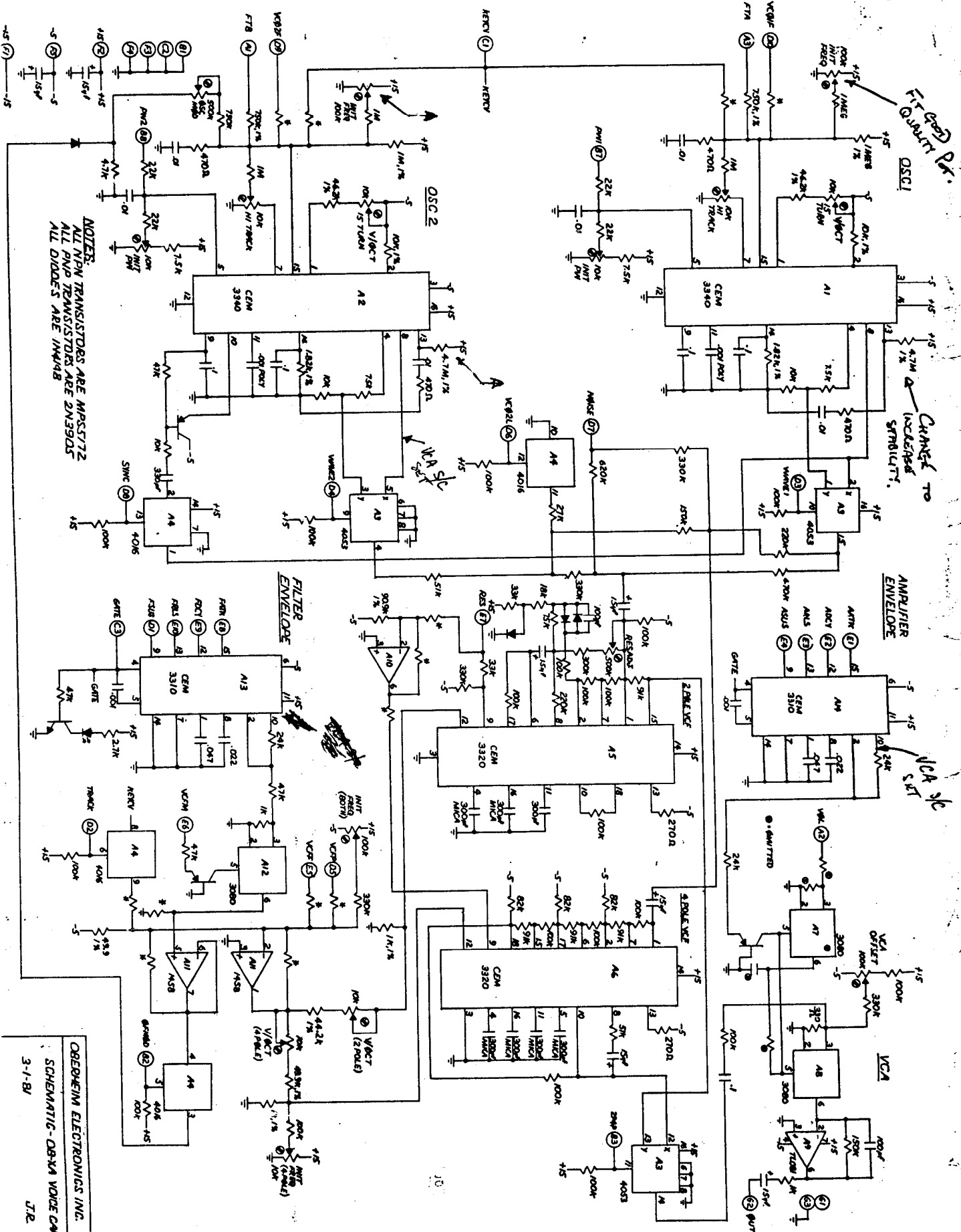


(ALL X CONNECTORS ARE LABELED IN ON FIRST UNITS)

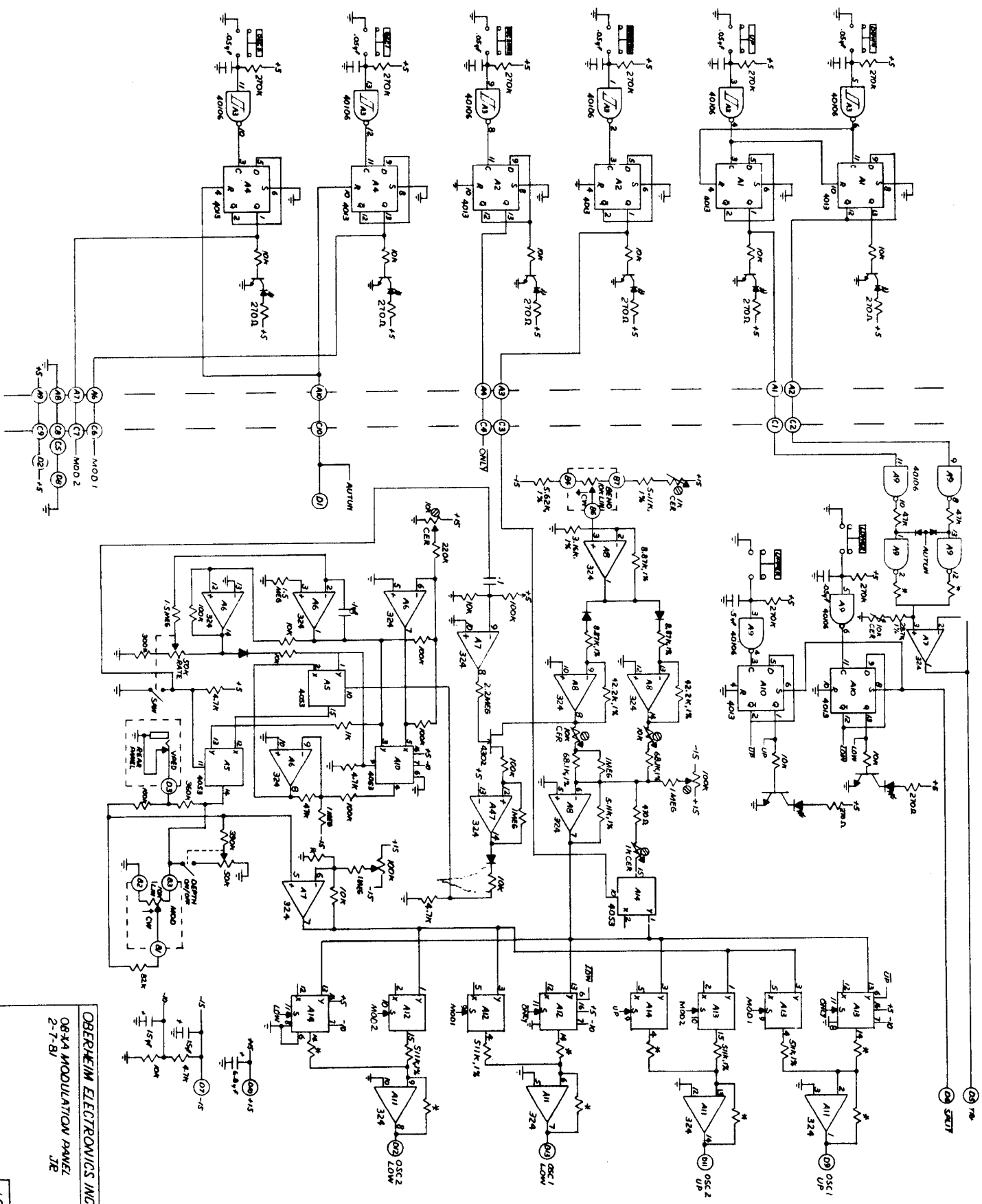


OBERHEIM ELECTRONICS INC.  
 SCHEMATIC OR-XA  
 UPPER CONTROL BOARD  
 5-5-81  
 J.R.









**OBERHEIM ELECTRONICS INC.**  
 08-3A MODULATION PANEL  
 2-7-B1  
 JRE



